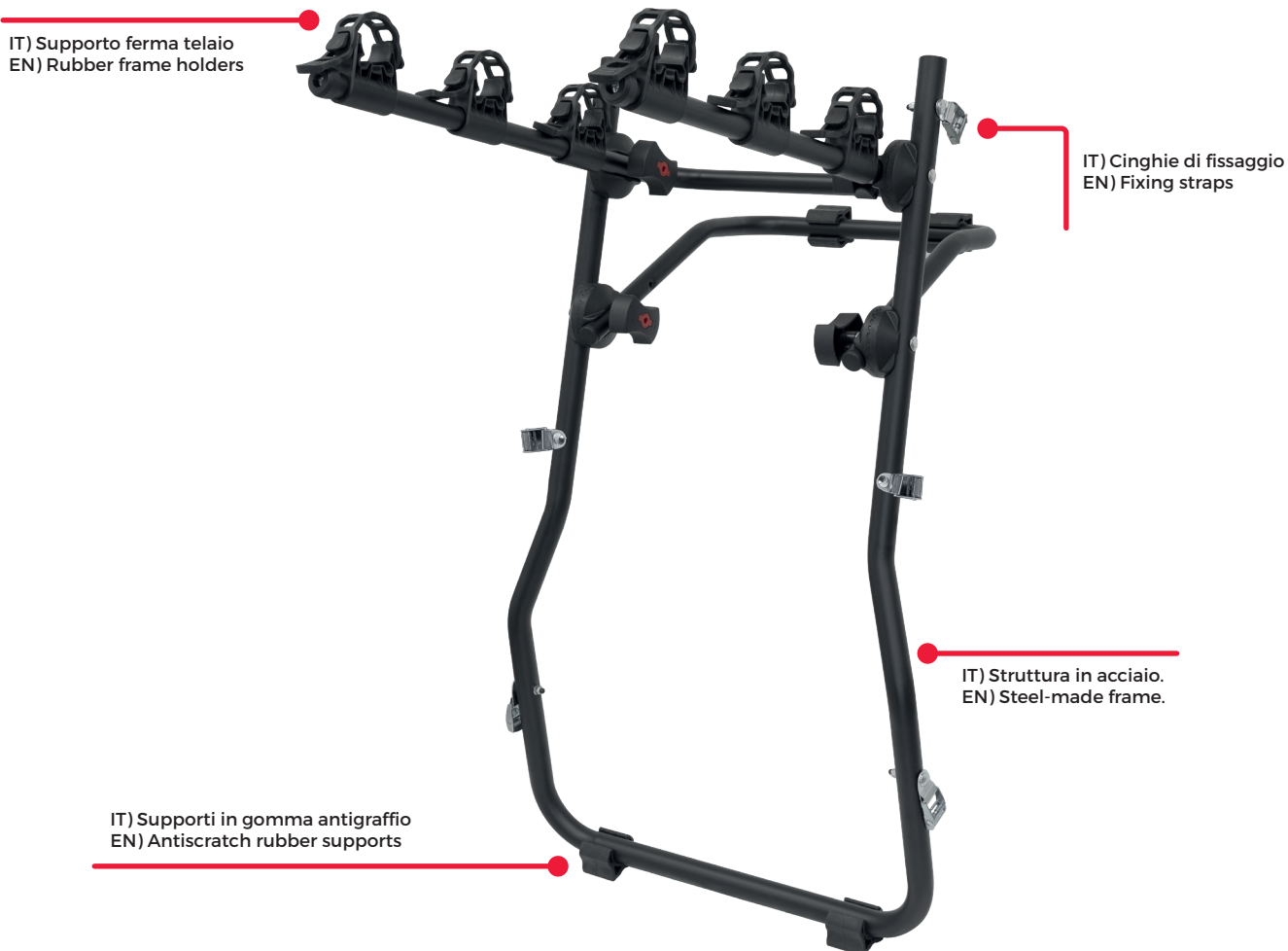
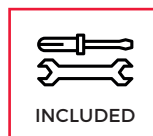


VIPER



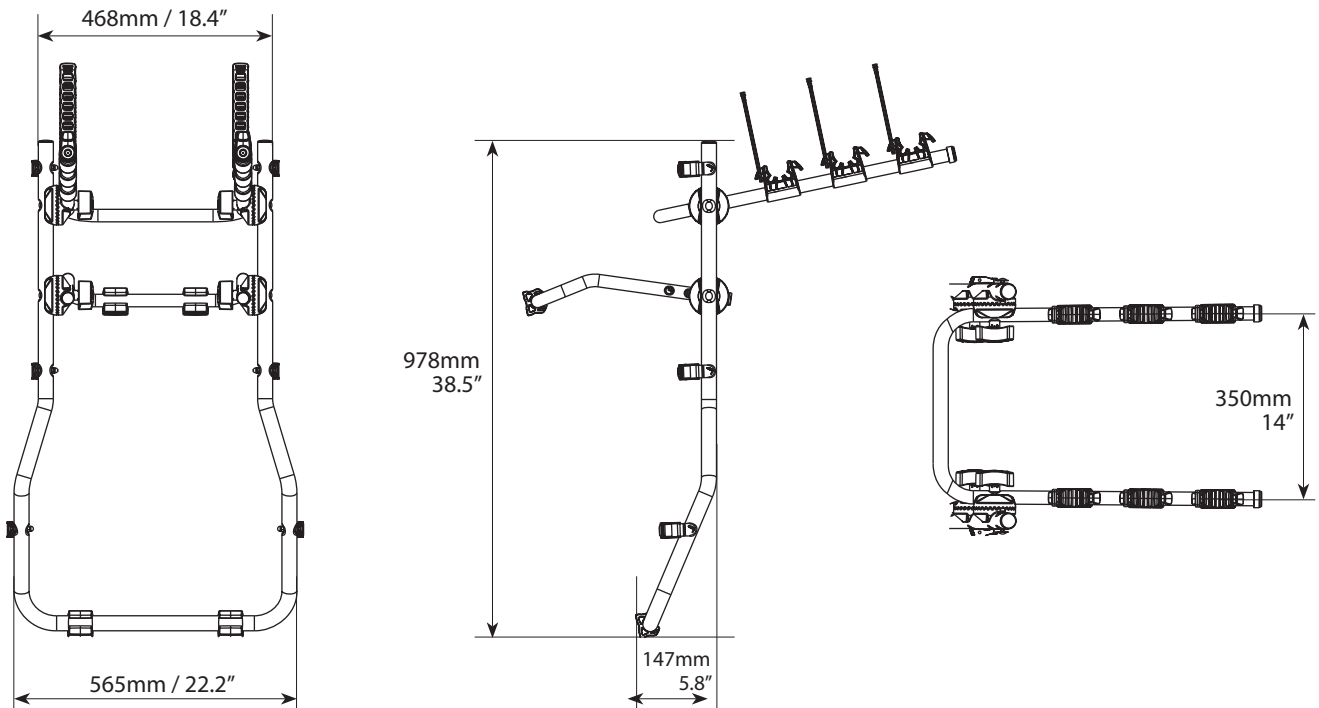
Watch video



IT) Portabici posteriore in acciaio adatto al trasporto di tre biciclette. Sicuro, semplice e rapido da montare. Una volta richiuso, occupa pochissimo spazio.

EN) Rear mounted bike rack, completely steel made, suitable for carrying three bikes. Easy and quick to install on the car's hatch, it is extremely safe. When folded, it takes very few space.

Art. 000123800000



| | |
|----------------------------------|---|
| Art. | 000123800000 |
| | 6,9kg / 15.2lb |
| Materiale Material Matière | Acciaio Steel Stahl Acero Acier |
| | max 45kg/99lb |
| | x |
| | x |
| Max | 3 |
| Fat bike | ✓ |
| E-bike | x |

| | |
|--------|--|
| Mod. | VIPER |
| Art.N° | 000123800000 |
| | L x W x H : 60x13x100 cm / 23.6x5.1x39.4" 8 Kg / 17.6lb |
| | L x W x H : 120x80x115 cm / 47.2x31.5x45.2" 117 Kg / 258lb Pz : 12 |
| Ean-13 | 8 003 168 046 738 |

COMPATIBILITÀ BICI / BIKE COMPATIBILITY / VÉLOS COMPATIBLES / BICICLETAS COMPATIBLES / PASSENDE FAHRRÄDER

| | | | | | |
|-------|------------------------------------|---|----------|----------|----------|
| Art. | | | | | |
| VIPER | min: 25mm/1" max: 60mm/2.3" | min: 30x50mm/1.2x2" max: 50x75mm/ 2x3" | No limit | No limit | No limit |

F.lli Menabò s.r.l.

Via 8 Marzo 3,
42025 Cavriago (RE), Italy
customer@flli-menabo.it
www.menabocaraccessories.com